

INSTRUCTION MANUAL

Oskar cabinet.



INTRODUCTION

Thank you for purchasing the Oskar cabinet. For safety reasons, please read the assembly instructions carefully before starting to assemble this product.

Check the contents of the package before the product is assembled. A complete summary of the contents of the package can be found on the following pages. In the unlikely event you are missing something, please contact the dealer who sold you the product.

This product takes about 1 hour to assemble. It requires 2 persons to assemble the bed. This package contains small parts, that must be kept away from small children.

A hex key and screwdriver must be used to assemble the cabinet. This is not supplied along with the bed. We do not recommend the use of power drill/drivers for inserting screws, as this could damage the unit. Only use hand screwdrivers.

ATTENTION

For the sake of your child's safety, we recommend you to regularly check that all screws and bolts are tightened so that the cabinet cannot slide apart. Retighten if necessary. Also check that there are no loose screws or other small items, that the child can snag or swallow.

- A Warning; Be aware of the risk of open fire and other sources of strong heat, such as electric bar fires, gas fires, etc. in the near vicinity of the cot;
- B Warning; Do not use the cabinet if any part is broken, torn or missing and use only spare parts approved by the manufacturer;
- C The cabinet is a tool, not a toy. Do not let children climb in and on the cabinet.
- D There is a small chance that the cabinet can fall if the cabinet is used incorrectly. If you want to exclude this risk, you can attach the cabinet to the wall. Fixing devices for the wall are not included. For advice on suitable fixing systems, contact your local specialized dealer.

CARE AND MAINTENANCE

All products are affected by sunlight – even the most colourful and colourfast products can fade. Therefore, protect the product from direct sunlight.

Wood is a sturdy and living natural material. The structure and colours change during the life of the product due to the continuous transformation process the wood goes through. Wood adjusts to its environment, so avoid placing the product in a room where the humidity fluctuates and always protect the product against powerful heat sources such as radiators, fireplaces and so on because this could affect or at worst destroy the structure of the wood.

Clean varnished wood products with warm soapy water and a damp cloth. Always use a soft cloth to avoid scratching, and always wipe off with a slightly damp cloth. Never use abrasive cleaning agents, bleaches or sharp objects

PARTS

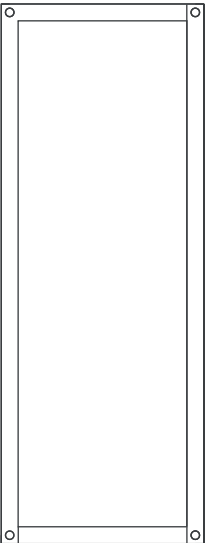
A x2



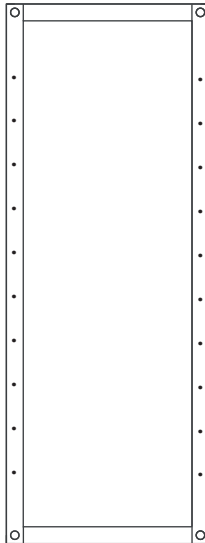
B x2



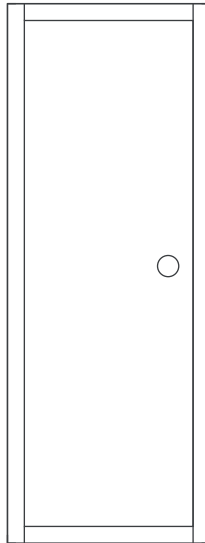
C x1



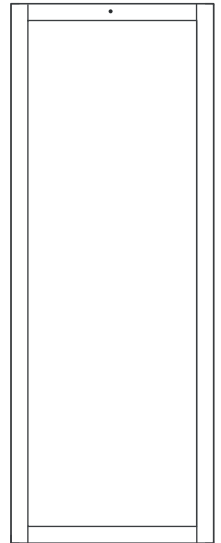
D x1



E x2



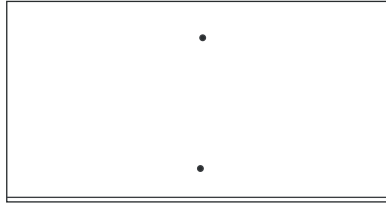
F x1



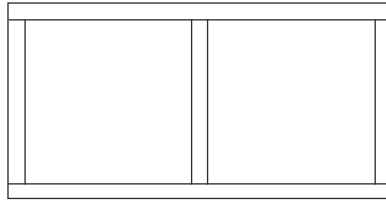
G x2



H x1



I x1



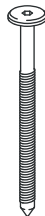
J x3



K x1



M x8



N x8



O x12



L x2



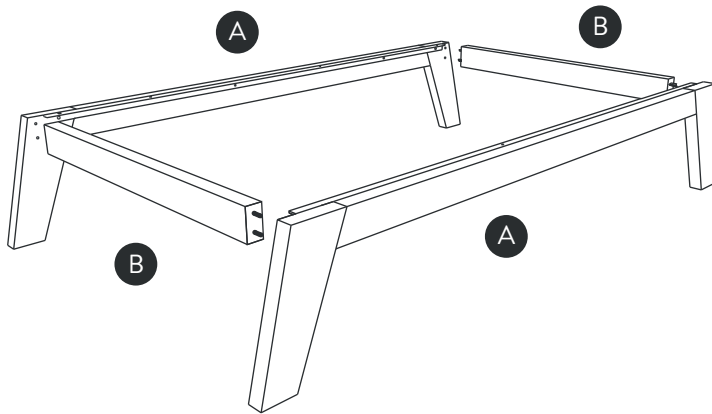
P x2



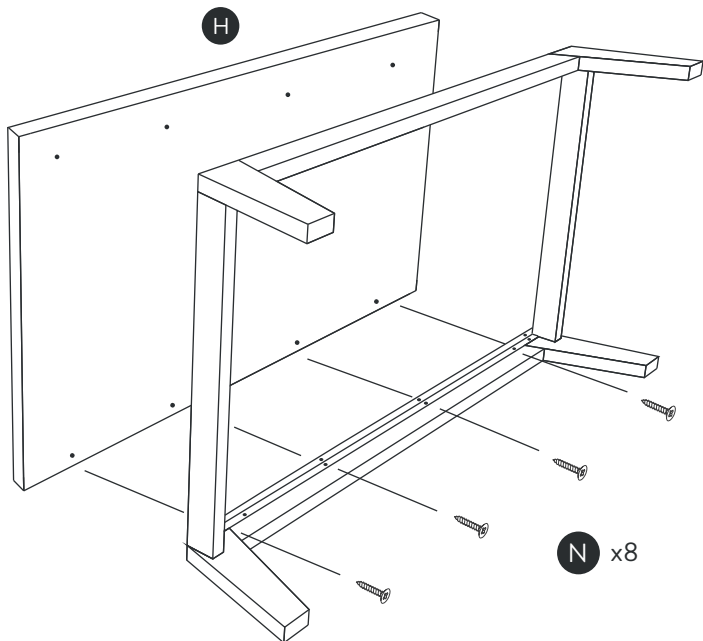
Q x4



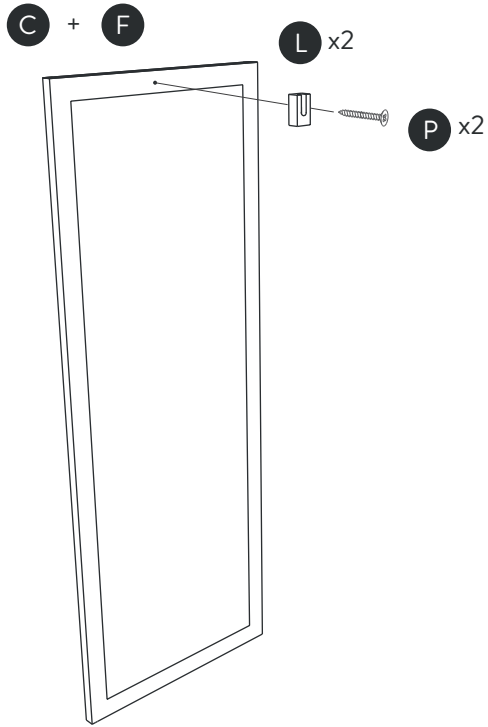
1.



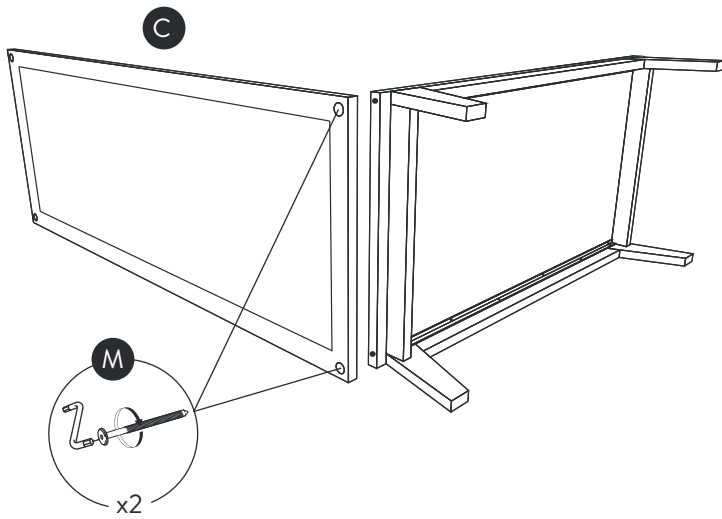
2.



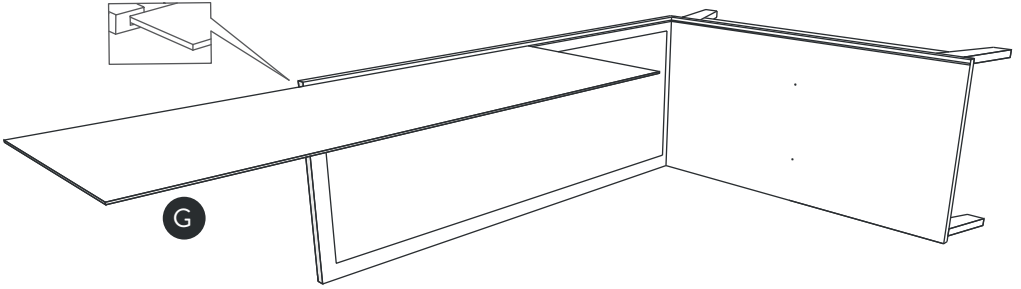
3.



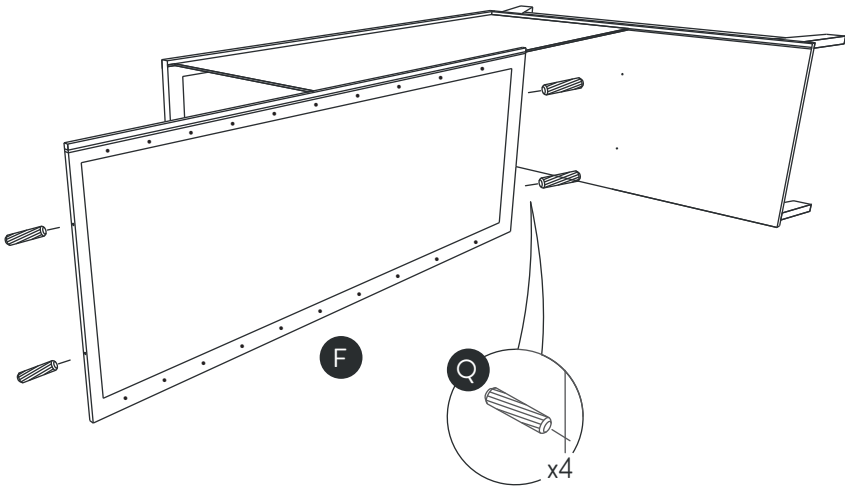
4.



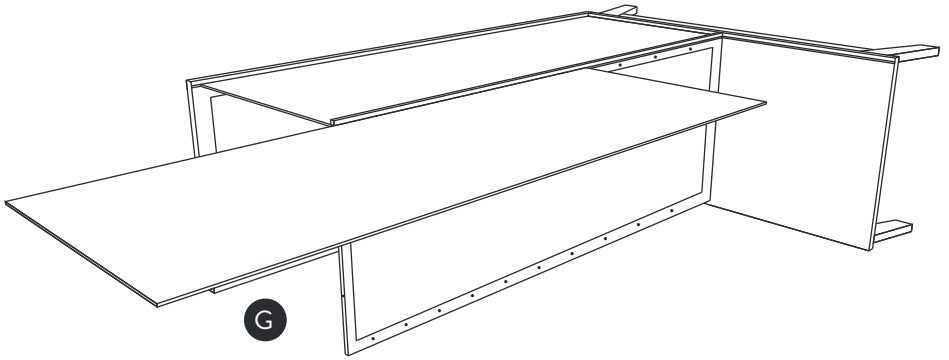
5.



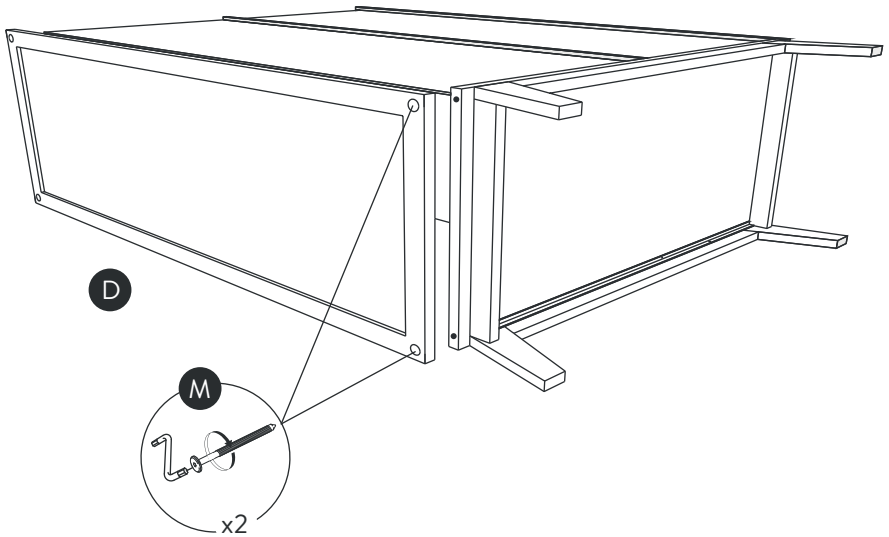
6.



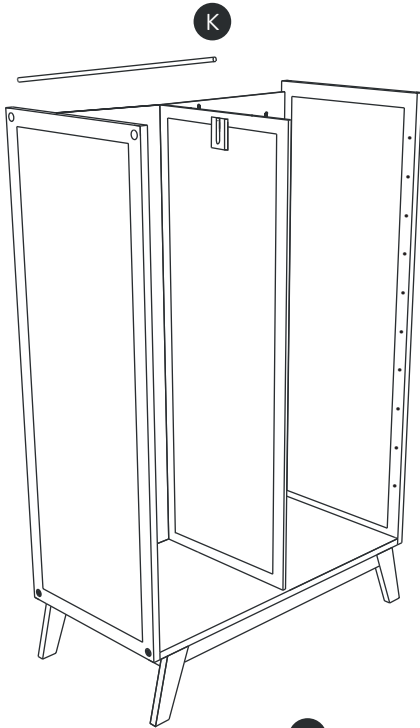
7.



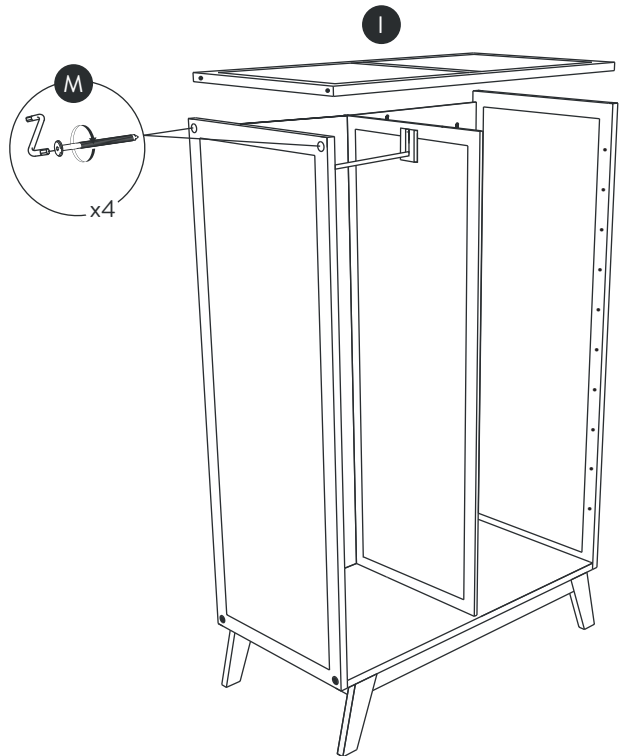
8.



9.

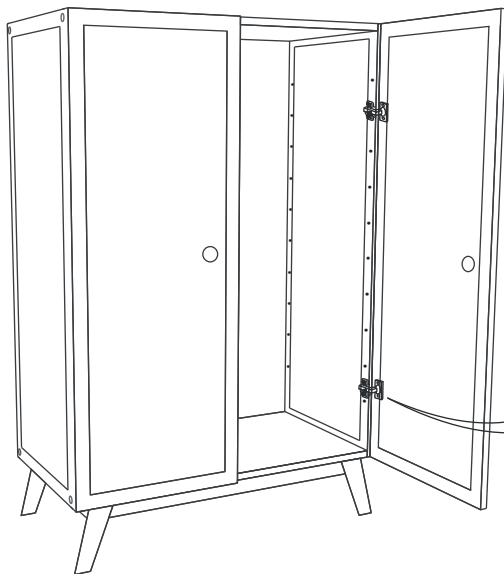


10.

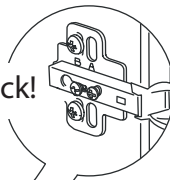


11.

E x2

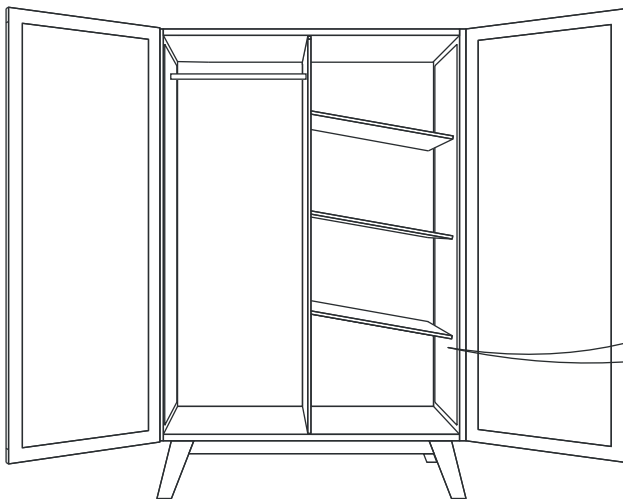


click!

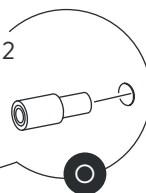


12.

J x3



x12



Zinkweg 152 3262 BG Oud Beijerland The Netherlands

+31 6 41 18 01 61 / info@lotie.nl

