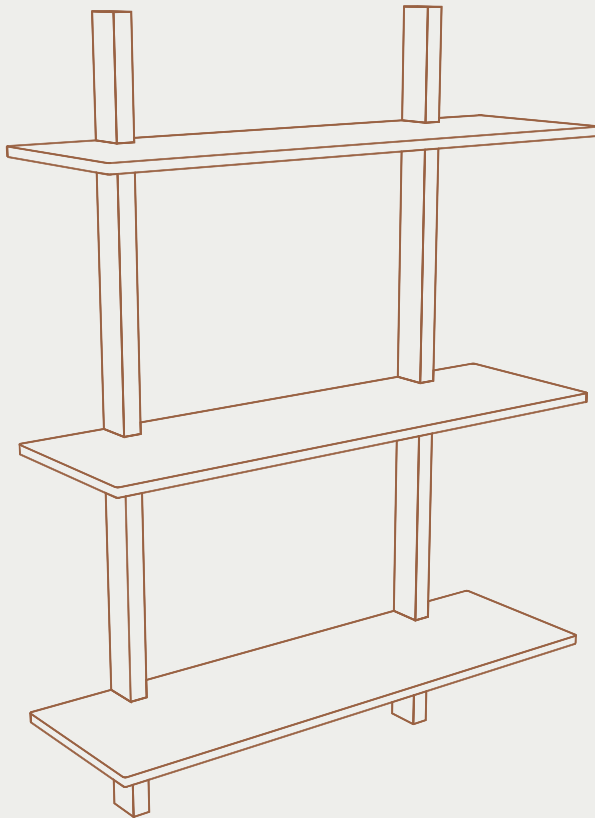


INSTRUCTION MANUAL

Selma shelves.



INTRODUCTION

Thank you for purchasing a Selma Shelf. For safety reasons, please read the assembly instructions carefully before starting to assemble this product.

Check the contents of the package before the product is assembled. A complete summary of the contents of the package can be found on the following pages. In the unlikely event you are missing something, please contact the dealer who sold you the product.

This product takes about 15 minutes to assemble. It requires 1 person to assemble the shelf. This package contains small parts, that must be kept away from small children.

ATTENTION

For the sake of your safety, we recommend you to regularly check that all shelves and screws are tightened so that the shelf cannot slide apart and fall off the wall. Retighten if necessary. Also check that there are no loose screws or other small items, that the child can snag or swallow.

- A Warning; Be aware of the risk of open fire and other sources of strong heat, such as electric bar fires, gas fires, etc. in the near vicinity of the shelf;
- B Warning; Do not use the shelf if any part is broken, torn or missing and use only spare parts approved by the manufacturer;

CARE AND MAINTENANCE

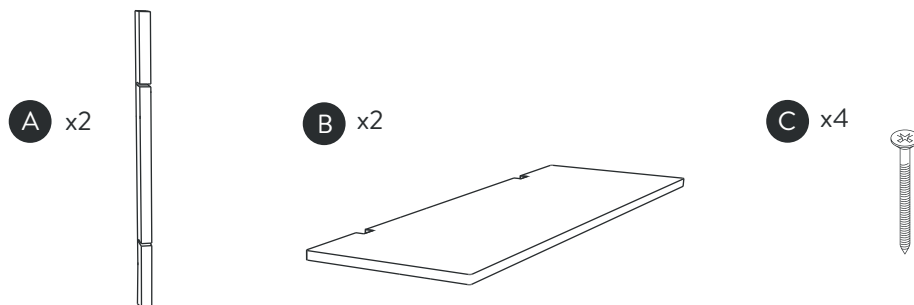
All products are affected by sunlight – even the most colourful and colourfast products can fade. Therefore, protect the product from direct sunlight.

Wood is a sturdy and living natural material. The structure and colours change during the life of the product due to the continuous transformation process the wood goes through. Wood adjusts to its environment, so avoid placing the product in a room where the humidity fluctuates and always protect the product against powerful heat sources such as radiators, fireplaces and so on because this could affect or at worst destroy the structure of the wood.

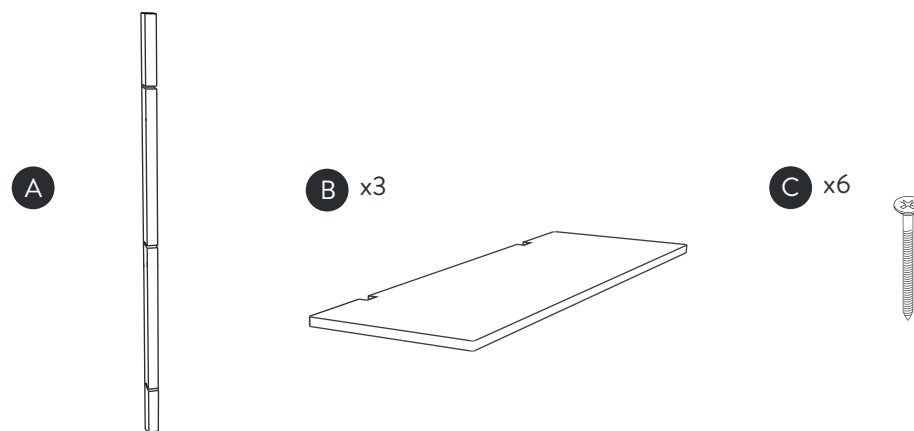
Clean varnished wood products with warm soapy water and a damp cloth. Always use a soft cloth to avoid scratching, and always wipe off with a slightly damp cloth. Never use abrasive cleaning agents, bleaches or sharp objects

PARTS

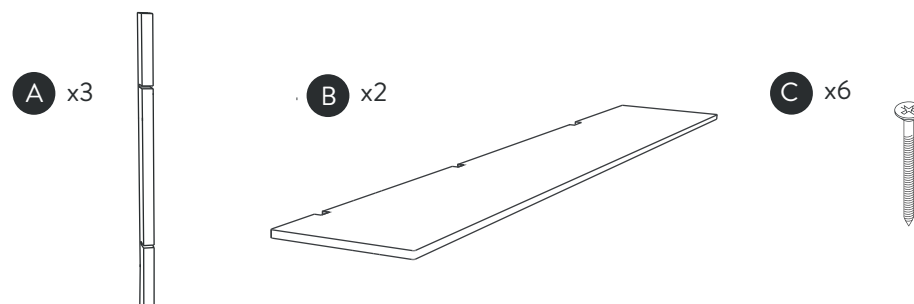
Model 1



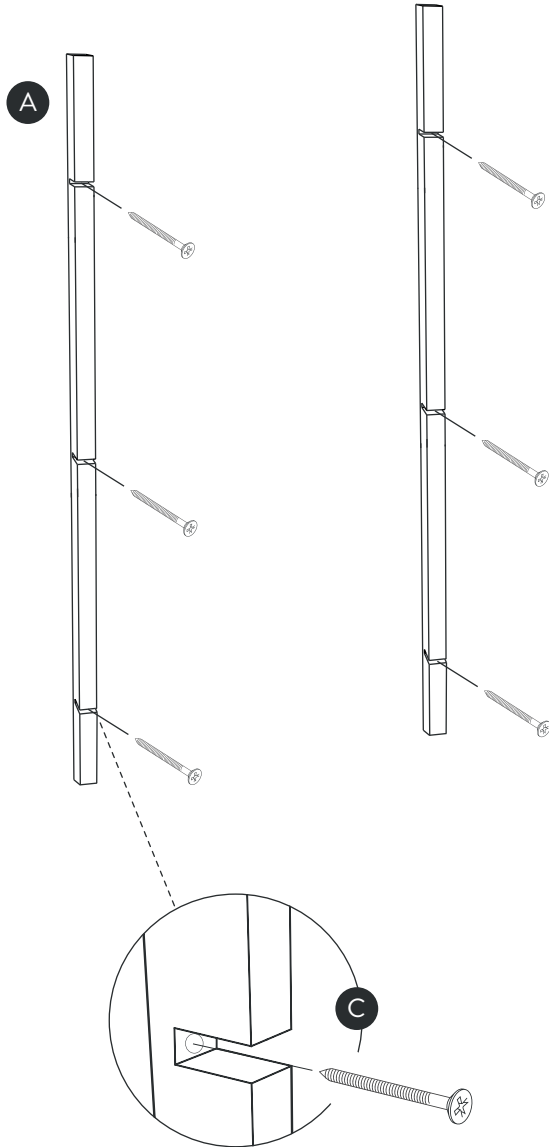
Model 2



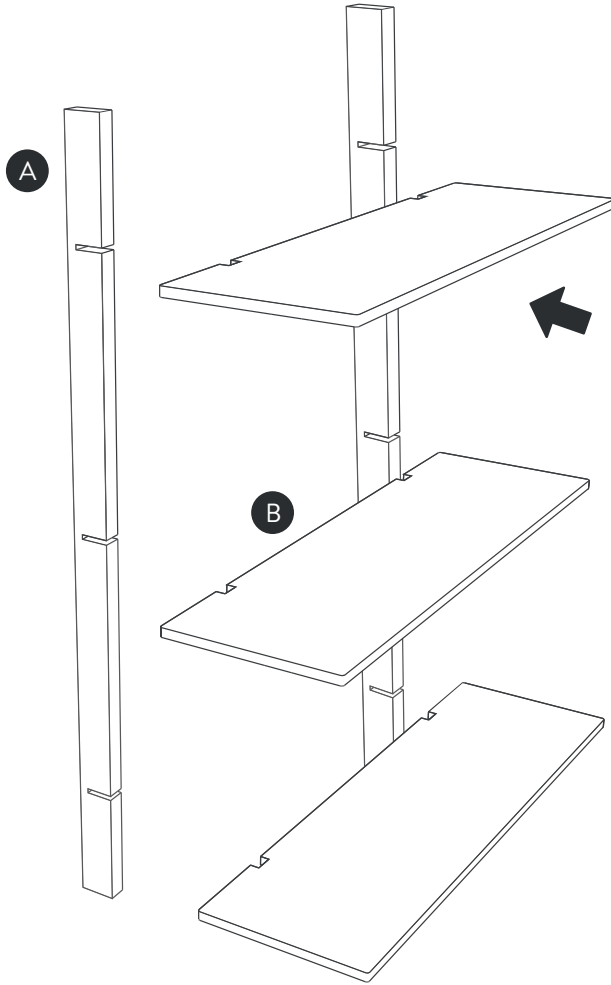
Model 3



1.

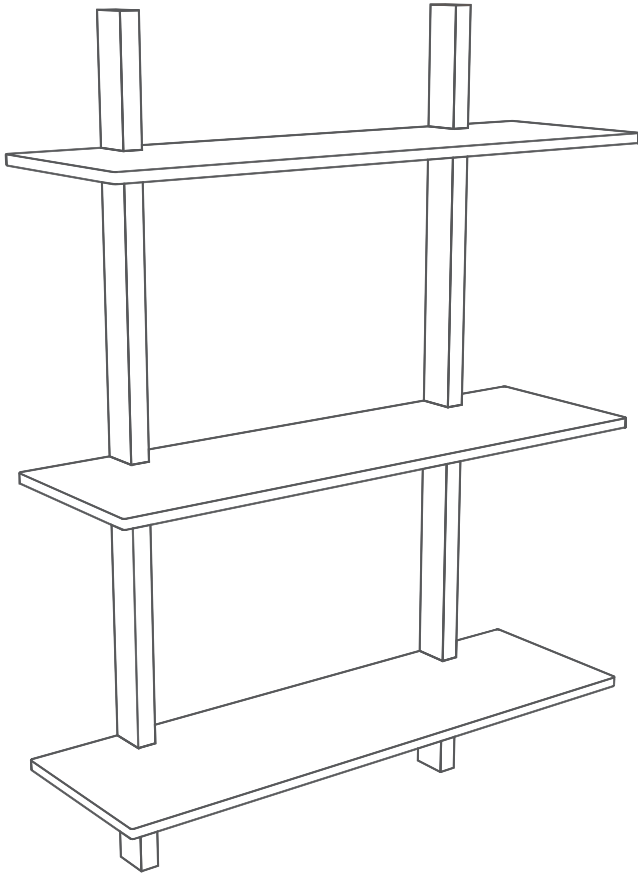


2.



3.

ENJOY IT!



Zinkweg 152 3262 BG Oud Beijerland The Netherlands

+31 6 4118 01 61 / info@lotie.nl

